

47/4C Captive Screws

ATCA captive screws



Features

- M3 thread
- No. 2 Phillips recess
- Color match available

Material

- Screw, ferrule and internal spring stainless steel, knob aluminum or PC/ABS

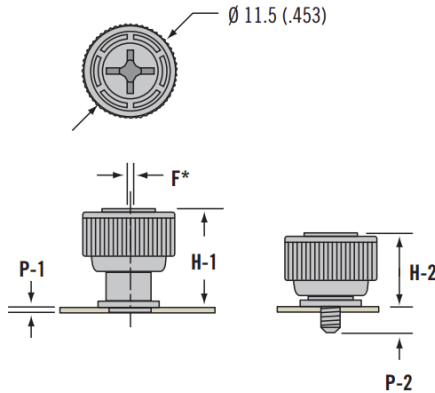
Product Performance

- Flammability rating: UL94-V0
ATCA R3.0 compliant screw

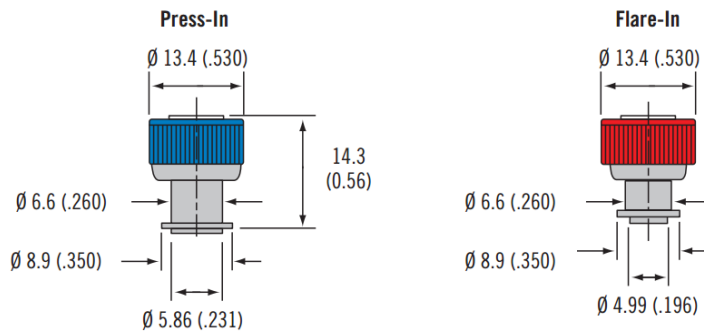
Installation Notes

- Please refer to installation drawings for reference on dimensions B*, Ø D* and Ø Z*
- F* indicates maximum float in the unfastened position

Metal Version



Overmolded Version



Specifying Color:

To indicate color, change the last three digits of the part number.

Example:

47-99-945-1P0-K000, black

47-99-945-1P0-K013, red

Series	Installation Method	Panel Thickness			Part Number No. 2 Phillips	H-1	H-2	P-1	P-2	F*	Panel Preparation	
		A Min.	A Max.	B*							Ø D*	Ø Z*
ATCA compliant (Metal Version)	Press-in	0.9 (.036)	~	~	47-99-945-1P0	14.3 (.56)	10.1 (.40)	1.0 (.39)	5.0 (.20)	1 (.039)	5.95±0.04 (.234±.002)	3.2 ^{+0.2} _{-0.1} (.125 ^{+0.008} _{-.004})
	Flare-in	0.8 (.031)	1.5 (.060)	0.4 (.016)	47-99-944-1F1	14.3 (.56)	10.1 (.40)	1.0 (.39)	5.0 (.20)	1 (.039)	5.1 ^{+0.1} ₋₀ (.20 ^{+0.004} ₋₀)	3.0 ^{+0.1} ₋₀ (.118 ^{+0.004} _{-.000})
ATCA compliant (Overmolded Version)	Press-in	0.9 (.036)	~	~	47-99-945-1P0-K000	14.3 (.56)	10.1 (.40)	1.0 (.39)	5.0 (.20)	1 (.039)	5.95±0.04 (.234±.002)	3.2 ^{+0.2} _{-0.1} (.125 ^{+0.008} _{-.004})
	Flare-in	0.8 (.031)	1.5 (.060)	0.4 (.016)	47-99-944-1F1-K000	14.3 (.56)	10.1 (.40)	1.0 (.039)	5.0 (.20)	1 (.039)	5.1 ^{+0.1} ₋₀ (.20 ^{+0.004} ₋₀)	3.0 ^{+0.1} ₋₀ (.118 ^{+0.004} _{-.000})